

MANUAL RELEASE MECHANISM

The Manual Release mechanism is a built-in release device of the 412 Operator (see Figure 4). To access the keyhole, remove the plug on the top of the motor housing. Then insert the key and turn it a half turn in the direction of the gate's closing to disengage the operator's motorized operation. You can now move the gate leaf by hand to open or close the gate. Operating the gate leaf by hand is necessary during installation and is useful during power failures.

1. Remove the plug on the top of the motor housing
2. Insert the Manual Release key and turn it in the direction of the gate's closing

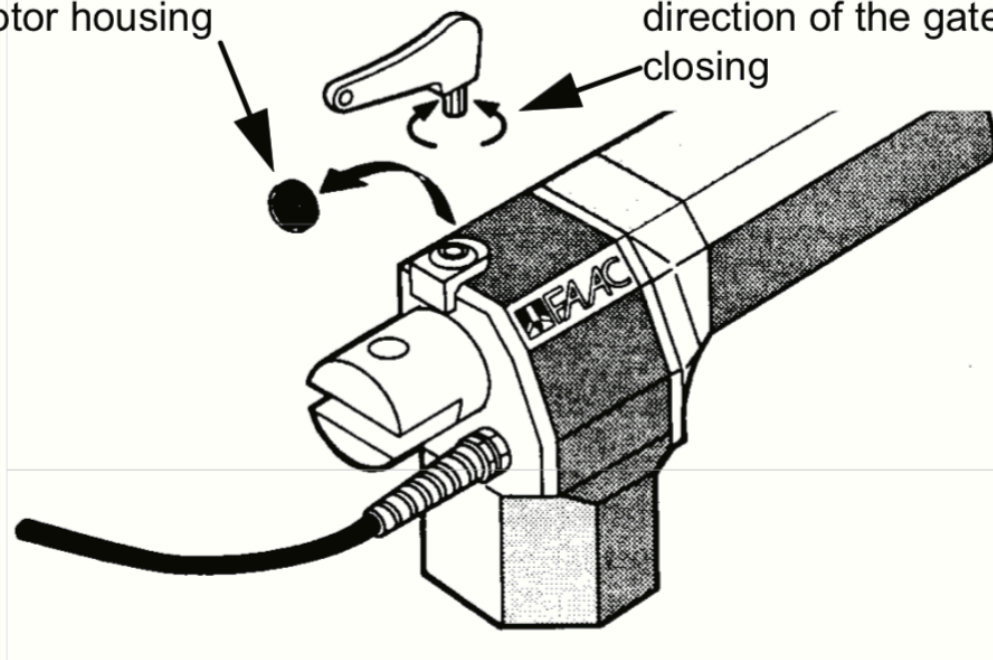


Figure 4. Use the Manual Release key to disengage the 412 Operator from its motor so that you can move the gate leaf by hand in the opening or closing direction