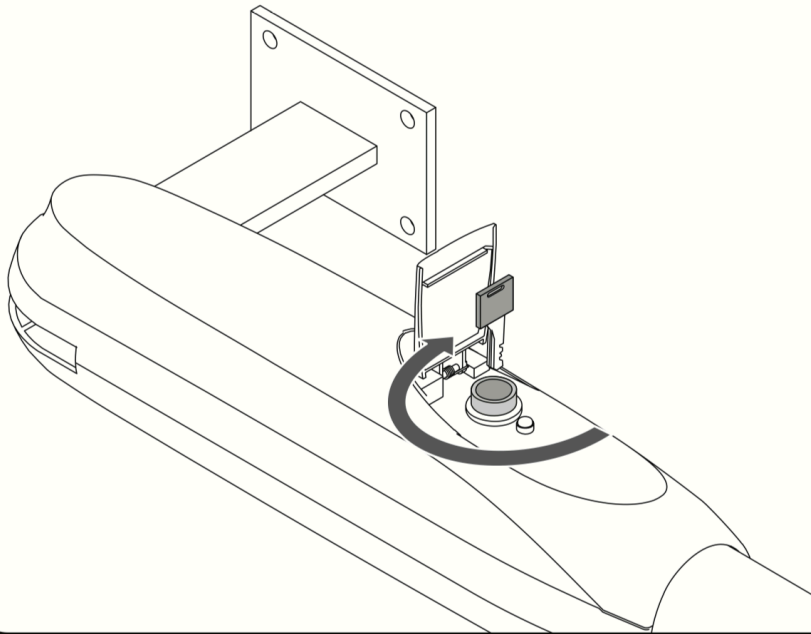


Manual Release



When manual operation is required:

1. Insert the key and turn it clockwise.
2. Unlock the electric lock, if mounted.
3. Manually slide the gate open.

To relock the wings:

1. Turn the key counter-clockwise.

WARNING: The door wing block and release operations must be performed with the motor idle.