

⚠ To keep the operator in manual mode, the release device must be left in its current (unlocked) position and the system must not be powered.

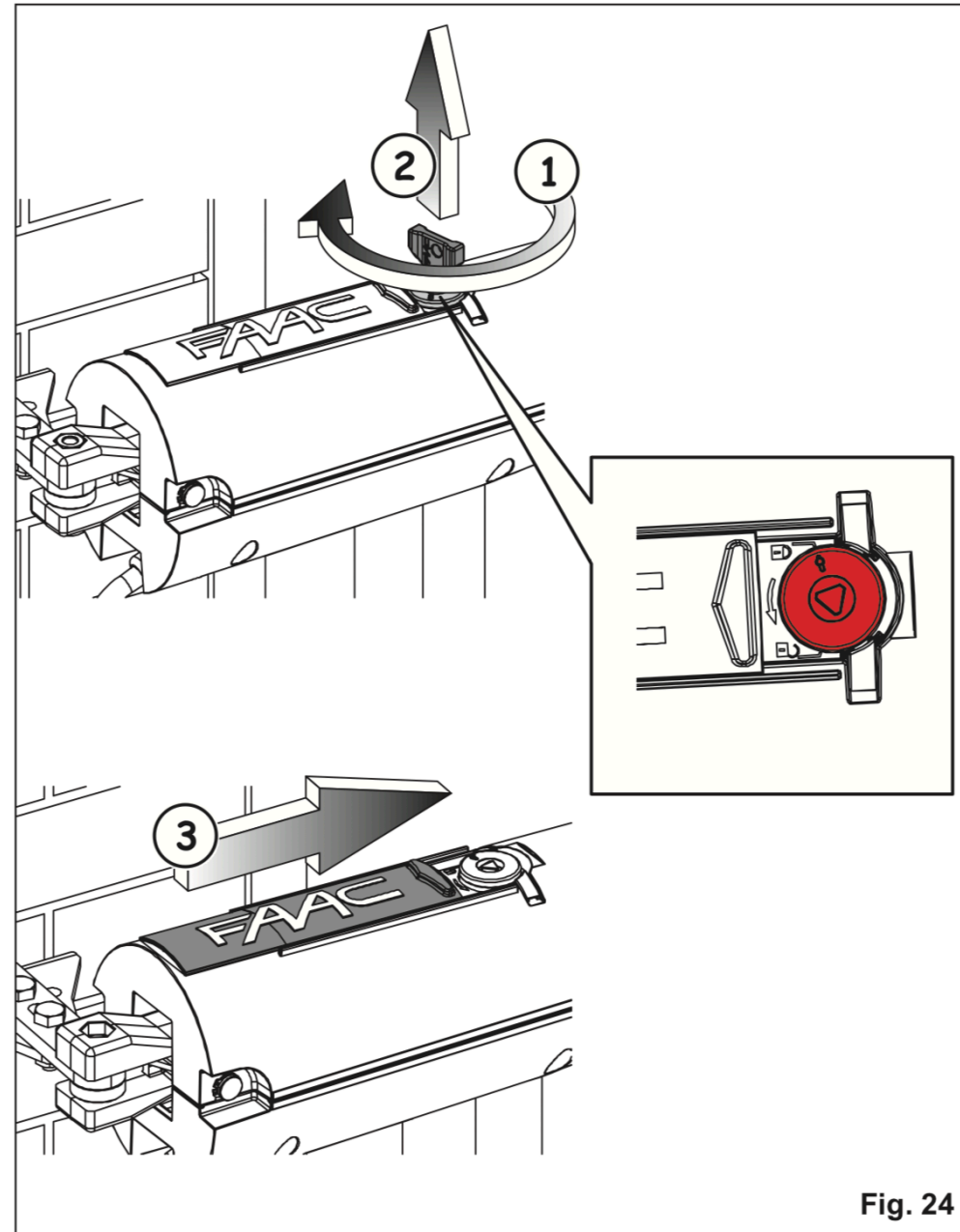
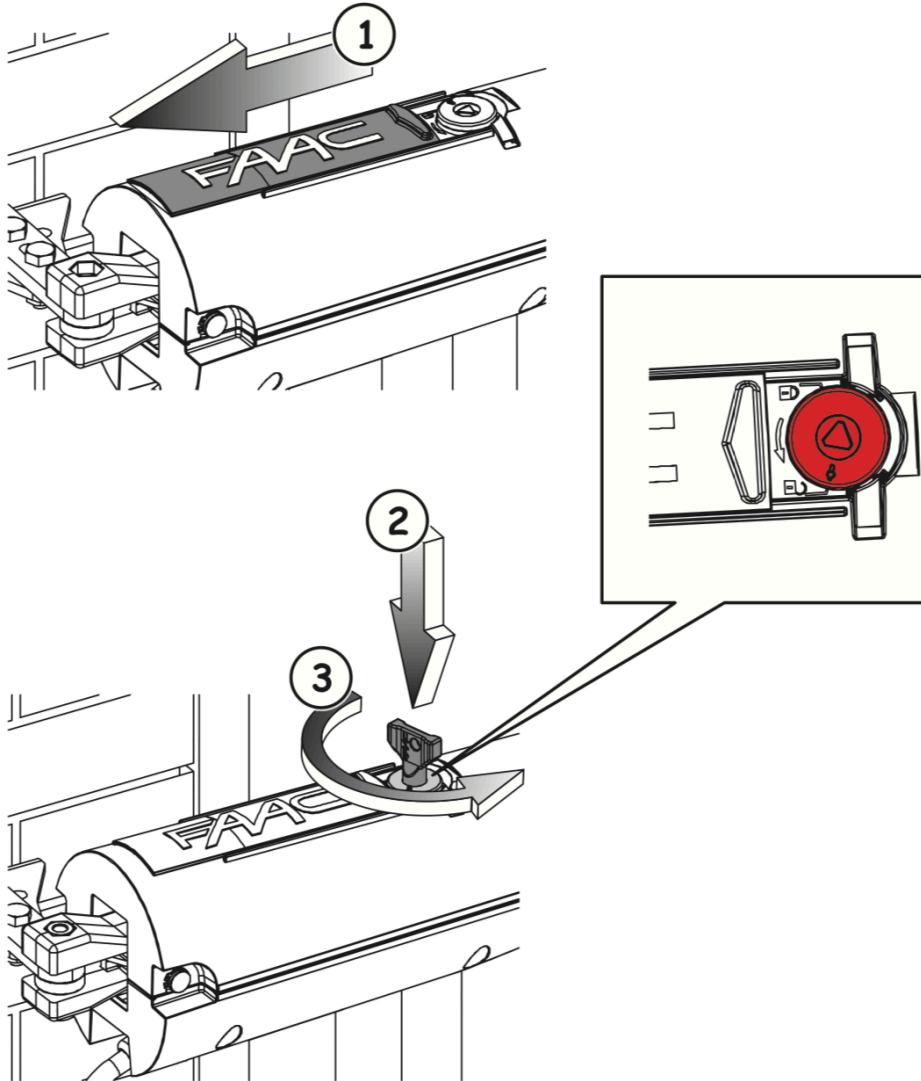


Fig. 24